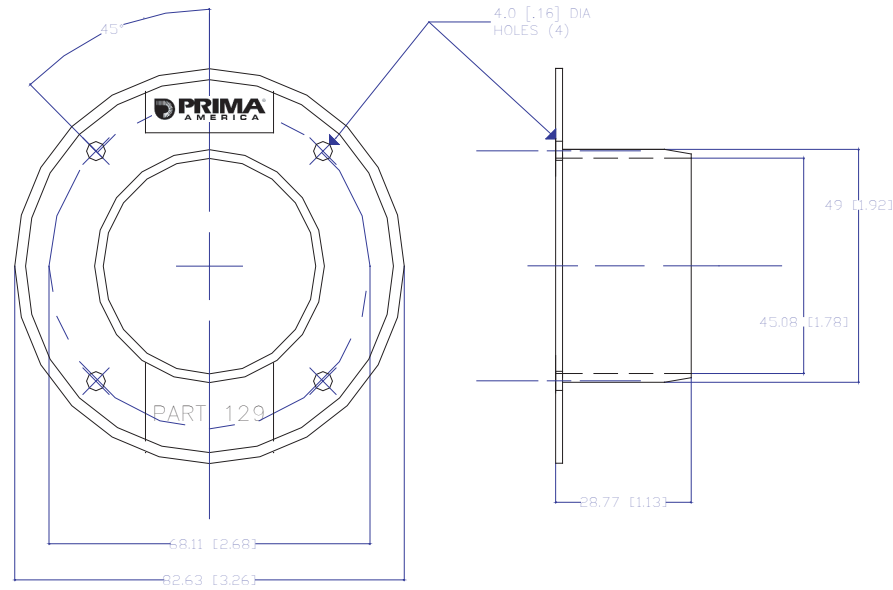


REVISIONS				
ZONE	REV	DESCRIPTION	DATE	APPROVED
LOC.	REV	DESCRIPTION	REV_DATE	REV_APPROVAL



MATERIAL: POLYAMIDE 6.6

DIMENSION UNITS:MILLIMETERS  
 TOLERANCE:±1.00 for X  
 ±0.50 X.X  
 TOL\_#3 X.XX  
 TOL\_#4 X.XXX  
 ANGULAR TOLERANCE:±2°



PRIMA AMERICA CORP.

29650 Grand River Ave.  
 Farmington Hills, MI 48336-5622 USA  
 Phone # (248) 473-8660  
 Fax # (248) 473-8662  
 E-Mail: Euramtec@AOL.Com

DRAWING TITLE:  
 S-65707-M ADAPTOR

User/Customer:  
 PRIMA

Part No. S-65707-M	Drawing No. PAC-1010	File Name/No. S-65707-M.DWG	
Sheet/Page No. 1	Revision Level: A	Sheet Size: AA	Scale: 1:1
Drawn By: DJW	Checked By: PAC	Approved By: TLG	Date: 09/07/2005